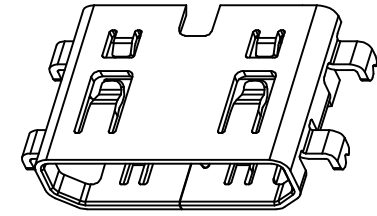
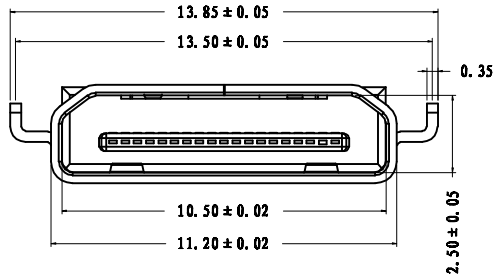
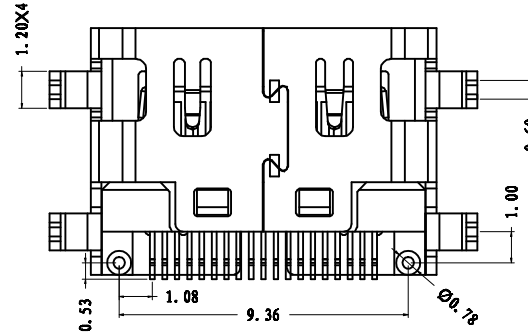
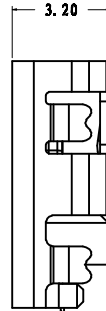
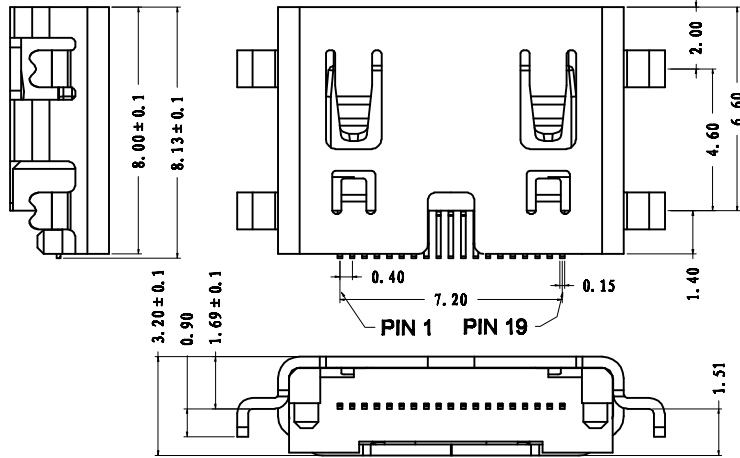


Kinghelm®

\* 所有原料材质, 生产制程, 电镀必须符合ROHS要求



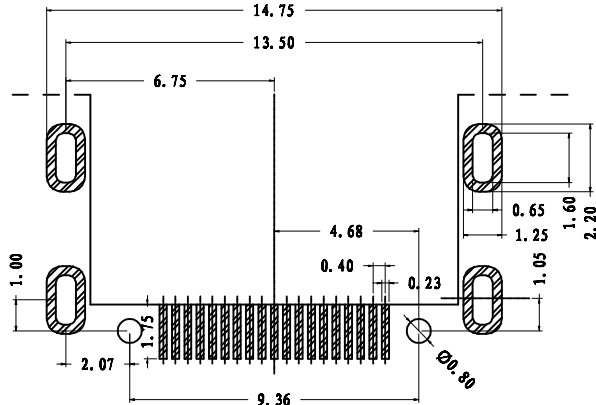
3D VIEW



SPECIFICATION:

- 1.MATING FORCE:4.1N MAX
- 2.UNMATING FORCE:7-25N
- 3.DURABILITY: 5000 CYCLES MIN
- 4.CURRENT:0.5A
- 5.VOLTAGE:40V MAX
- 6.WITHSTANDING VOLTAGE:500V AC MIN.(UNMATED)
- 7.CONTACT RESISTANCE:30MΩ MAX.
- 8.INSULATION RESISTANCE:100MΩ MIN.(UNMATED)
- 9.OPERATING TEMPERATURE RANGE:-20.C TO +85.C
- 10.ALL THE MATERIAL SHOULD COMPLY WITH THE ROHS REQUIREMENT.

Type C pin	Signal Name
1	TMDS Data2 Shield
2	TMDS Data3+
3	TMDS Data3-
4	TMDS Data1 Shield
5	TMDS Data1+
6	TMDS Data1-
7	TMDS Data2 Shield
8	TMDS Data2+
9	TMDS Data2-
10	TMDS Clock Shield
11	TMDS Clock+
12	TMDS Clock-
13	HSI/CSI Ground
14	CS+
15	CS-
16	0V
17	0V
18	+5V Power
19	Hot Plug Detect



MATERIAL:

Insulator: High Temperature Thermoplastic,  
Contact: Copper Alloy T=0.12  
SHELL: C2680 T=0.35

PLATING:

Contact:All Area Au:1u"  
shell:All Area Au Gold flash

REVISION NO.	ECR NO.	DESCRIPTION	MARK	DATE
1				
2				

深圳市金航标电子有限公司		www.kinghelm.com.cn	
KH-HDMI-0035-CB		0755-28190160	
PRODUCT NAME : MINI-HDMI 19Pin C TYPE 双版本连接器		DRAWING:	DATE: 2009/12/10
UNLESS OTHERWISE SPECIFIABLE		CHECK:	DATE: 2009/12/10
DIMENSION TOLERANCE		APPROVED:	DATE: 2009/12/10
X.X: ± 0.25		SCALE: 1:1	
X.XX: ± 0.10		DWG ID: P D	
X.XXX: ± 0.05		REV.: A	
ANGULAR: ± 1°		PAGE: 1 of 1	