

# Kinghelm®

REV.	ECN. NO.	APPD.
A	/	LXQ

**NOTES:**

**1.MATERIAL:**

- 1.1 Housing:thermoplastic plastics
- 1.2 terminals:Copper Alloy  
Gold plated in contact area:  
Tin plated in termination  
Nickel Plated overall
- 1.3 Shell:Steel&Copper Alloy  
Nickel Plated overall

**2.ELECTRICAL CHARACTERISTICS:**

- 2.1 Rating Current :1.5 Ampere
- 2.2 Rating Voltage :30 V Max
- 2.3 Contact Resistance:30 Milli ohms
- 2.4 Insulation Resistance:1000 Mega ohms Min.

**3.MECHANICAL CHARACTERISTICS:**

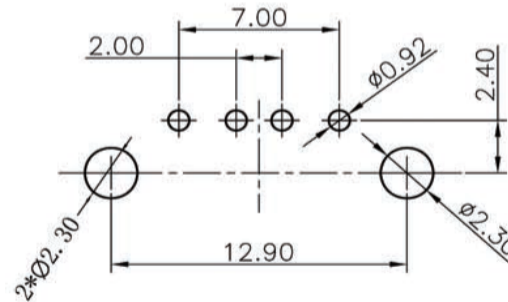
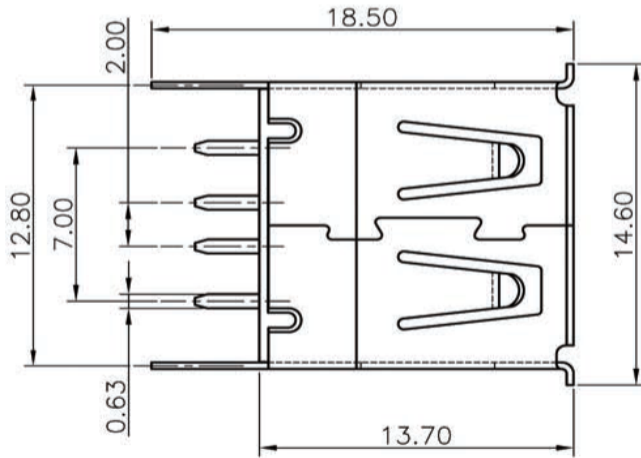
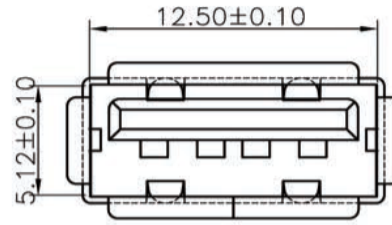
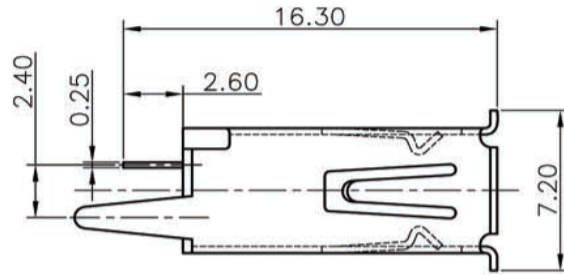
- 3.1 Connector Mating force: 35N MAX(3.57KgF)
- 3.2 Connector Unmating force:10N min(1.02KgF)
- 3.3 Durability:1500Cycles.

**4.ENVIRONMENT CHARACTERISTICS:**

- 4.1 Operating temperature:-0°C to +50°C
- 4.2 Storage temperature:-20°C to +60°C

U223-021X-XXXOXR

- 1:Iron alloy
- Ni plating
- 5:Copper alloy
- Ni plating
- 1: Au 1u"
- 3: Au 3u"
- 5: Au 5u"
- 7: Au 10u"
- 8: Au 15u"
- A: Au 30u"
- 1:tray
- 2:Tube
- 8:Tape&Reel
- 9:Tape&Reel+Mylar
- 1:Black
- 2:White
- 3: Beige
- 4: Pure White
- 1:PA66
- 2:PBT
- 6:LCP



**PCB.LAYOUT**

TOL:±0.05

TOLERANCE UNLESS OTHERWISE SPECIFIED		深圳市金航标电子有限公司		WWW. BDS666. COM		
.XXX ±0.10	.XX ±0.20	.X ±0.30	.X* ±3°	KH-AF180ZJ-13.7-JB		0755-83044319
APPROVED		PART NAME:	USB AF 180度直插13.7直脚			
CHECKED		PART No:	U223-021X-XXXOXR			C
DRAWN	leixianqiang	PROJECTION:	UNIT:	SCALE	SHEET	REV.
DATE	2015.03.17		mm	1:1	1 OF 1	A