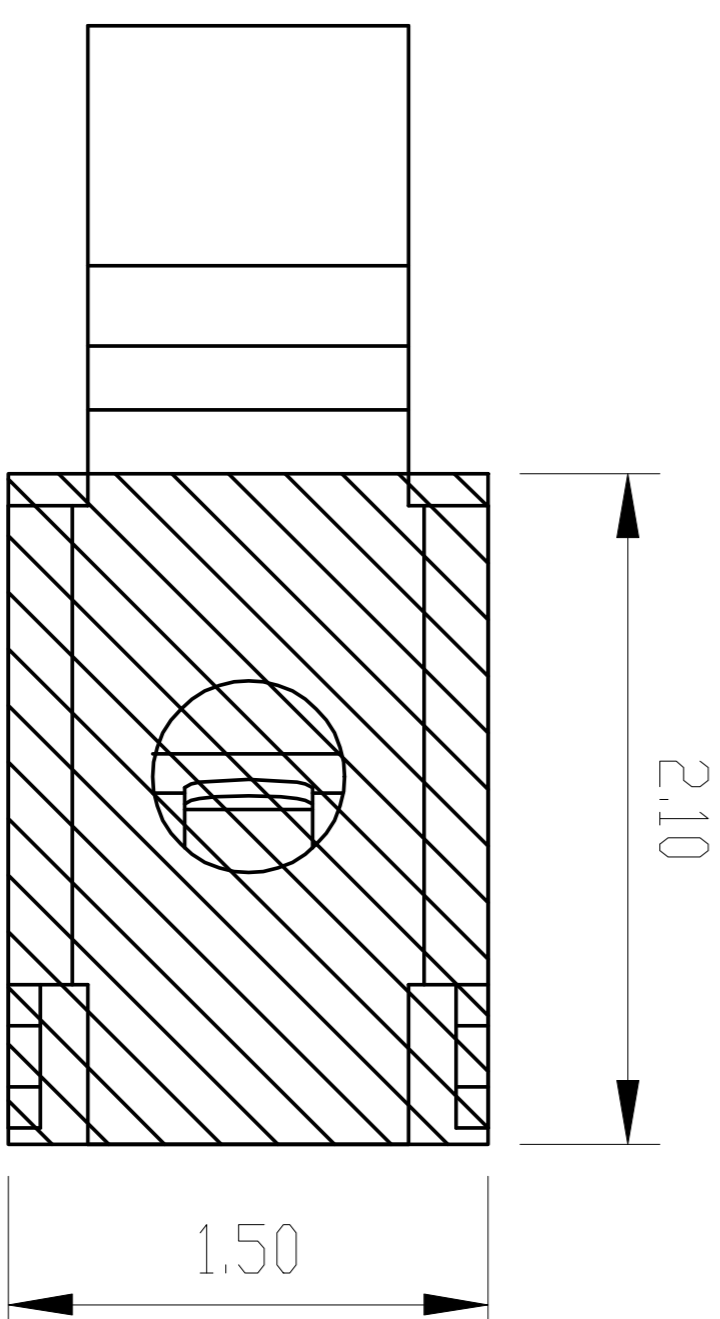
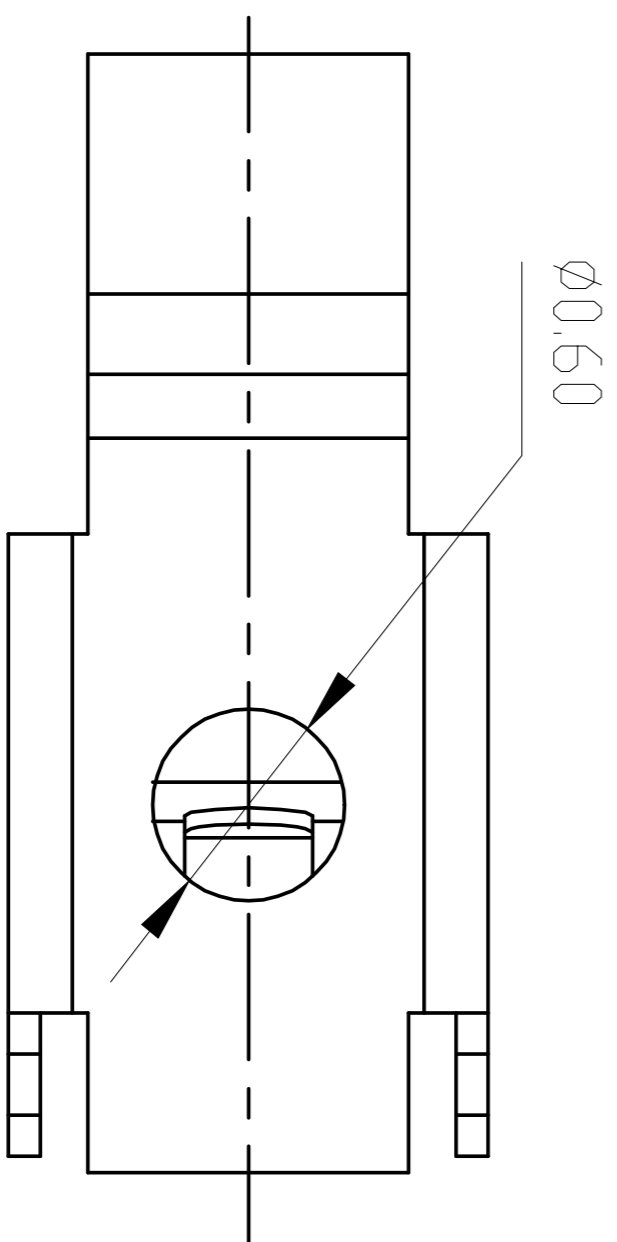
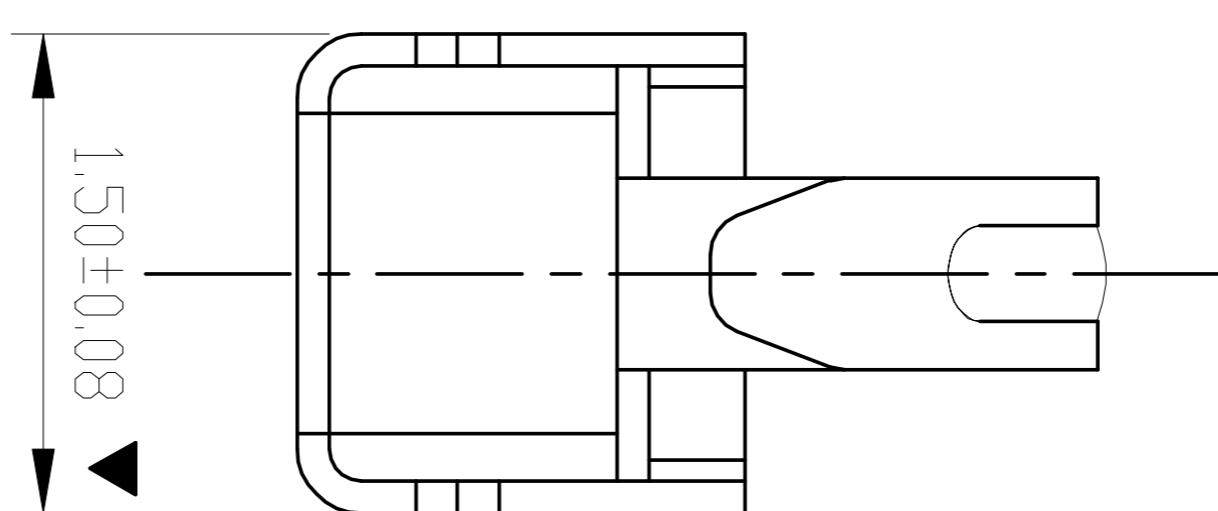
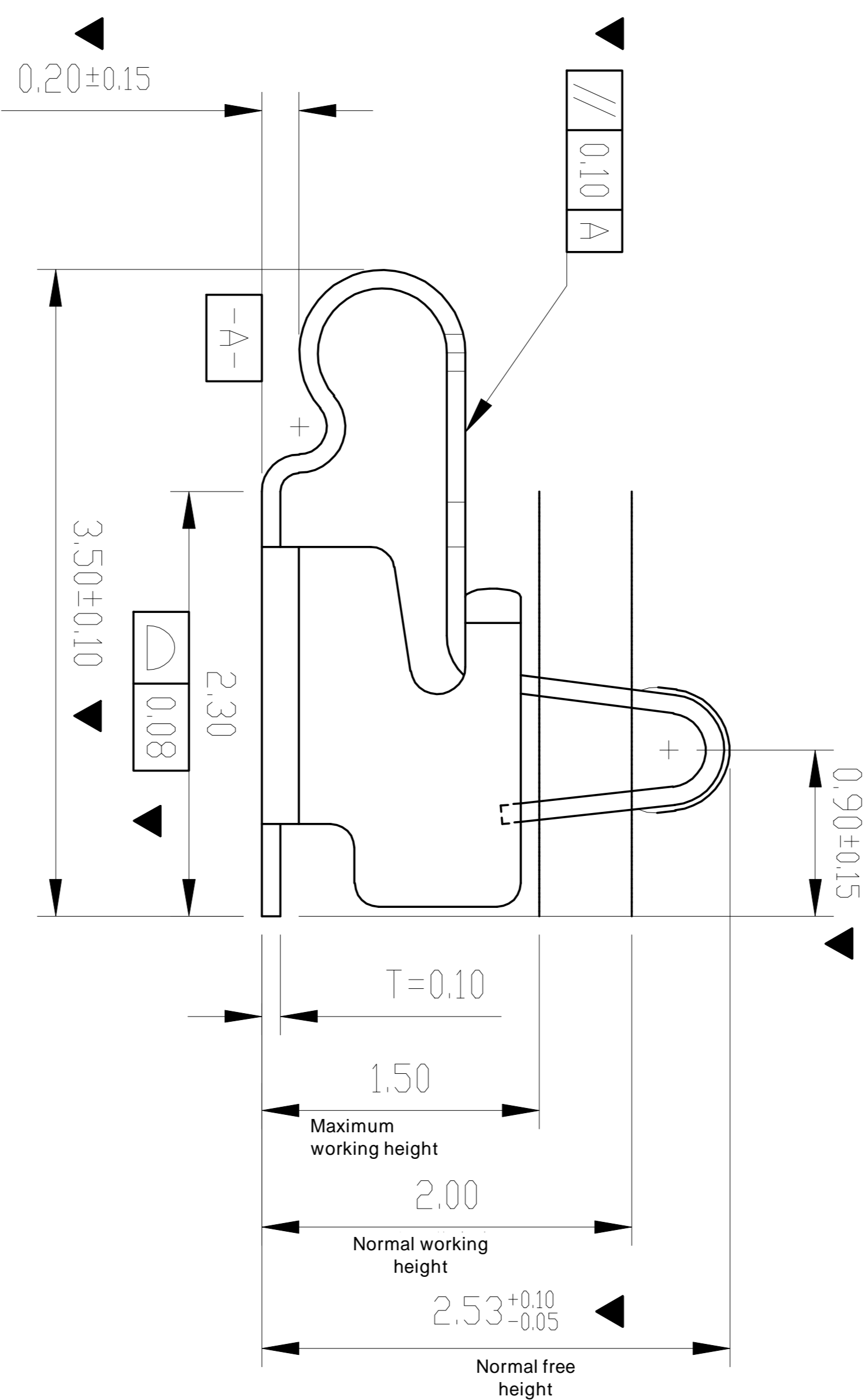
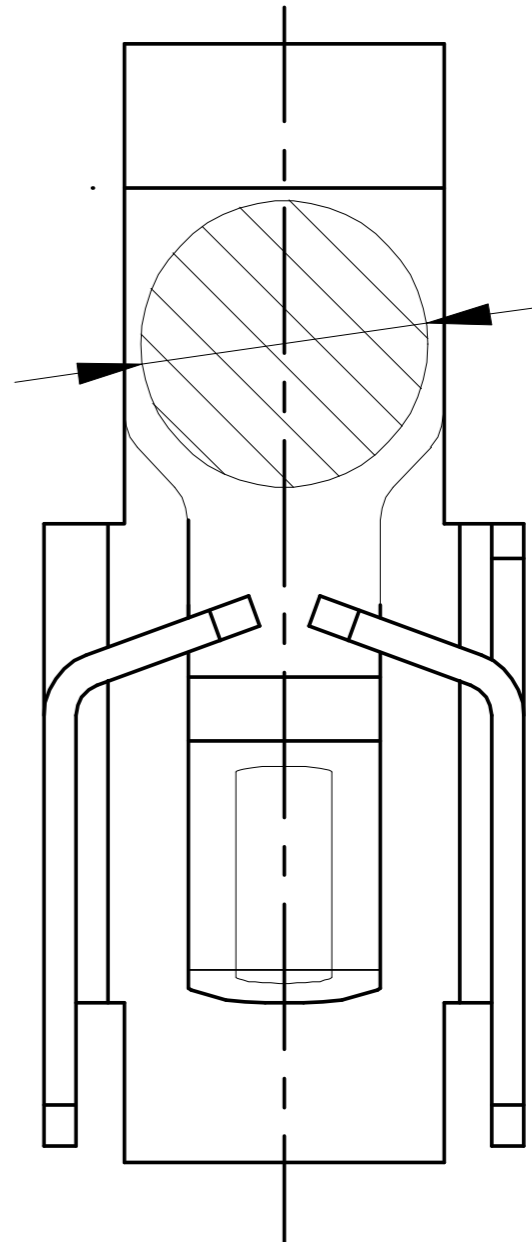


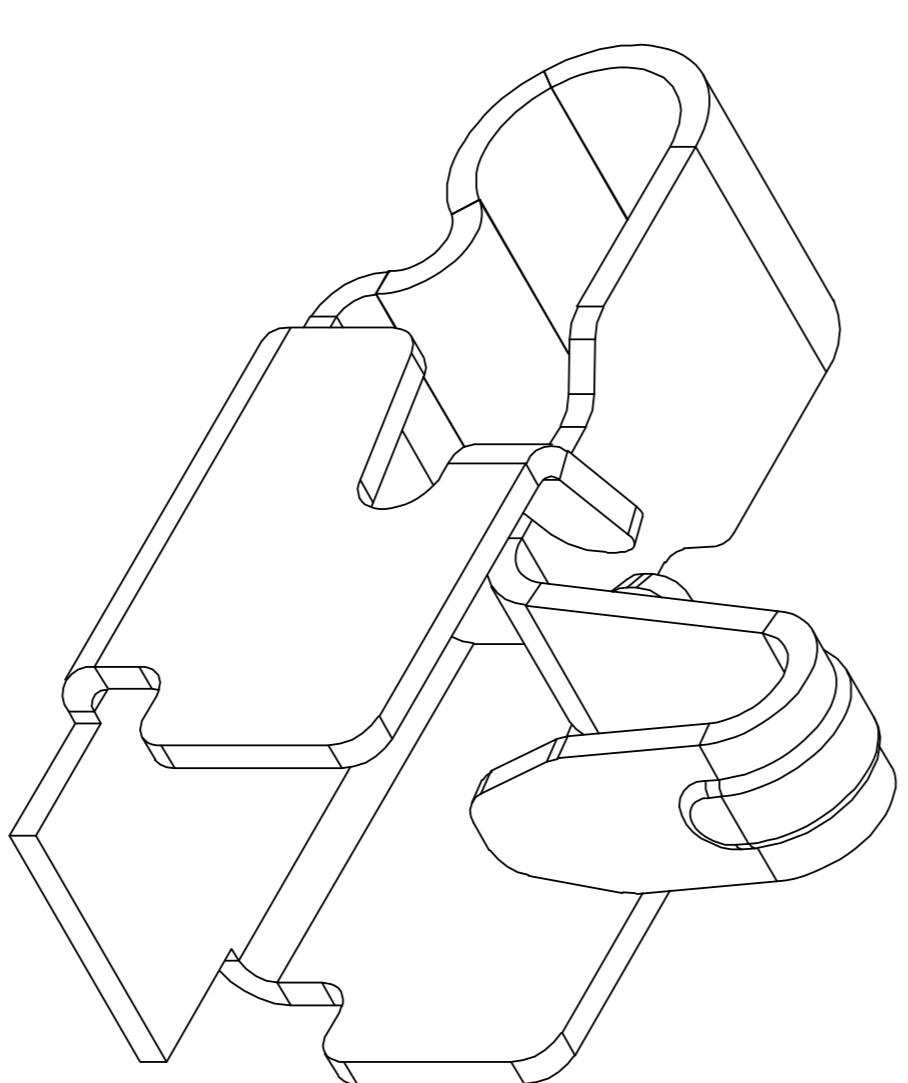
∅0.90 PICK UP AREA



Dimensional Tolerance ±0.05

### Specification

1. Material: stainless steel SUS304, T = 0.10 ± 0.005;
- ▼ 2. The welding and contact surfaces of the Tin terminal shall be free of burrs, and the maximum size of burrs in other parts shall be 0.03mm;
3. Twisting: 45 ° / 1000mm, arch 5mm/1000mm;
4. Dimensions marked with "▼" shall be measured and inspected with emphasis;
5. Unmarked R Max R0.13;
6. Electroplating must be inspected by 48-hour salt spray test;
7. Life test > 20000 times The elasticity of the product shall be between 60gf and 80gf as required.
8. Ni 50~80u"min, soldering area gold-plating, contact area gold plating 1U"MIN



Rev.	ECN Number	Description	Date	Drawn	Checked	Approved

SHENZHEN KINGHELM ELECTRONIC CO., LTD.  
WWW.BDS666.COM  
KH-351525-TP  
0755-83044319

GENERAL TOLERANCE	
XX. ±0.50	X. ±2.0°
X. ±0.35	.X. ±1.0°
.X. ±0.25	.XX. ±0.5°
.XX. ±0.15	

SCALE:	1:1
UNIT:	mm
SIZE:	A4

DRAWN	CHECK	DATE
APPROVE	DATE	DATE

DWG. NO.	PARTS NO.(INTENDED USE)
681-0021A-1	JXH0021A1

TITLE	REV.
Customer's drawing	A
RF Antenna Spring, SMT, L3.5*W1.5*H2.5mm	SHEET 1/1