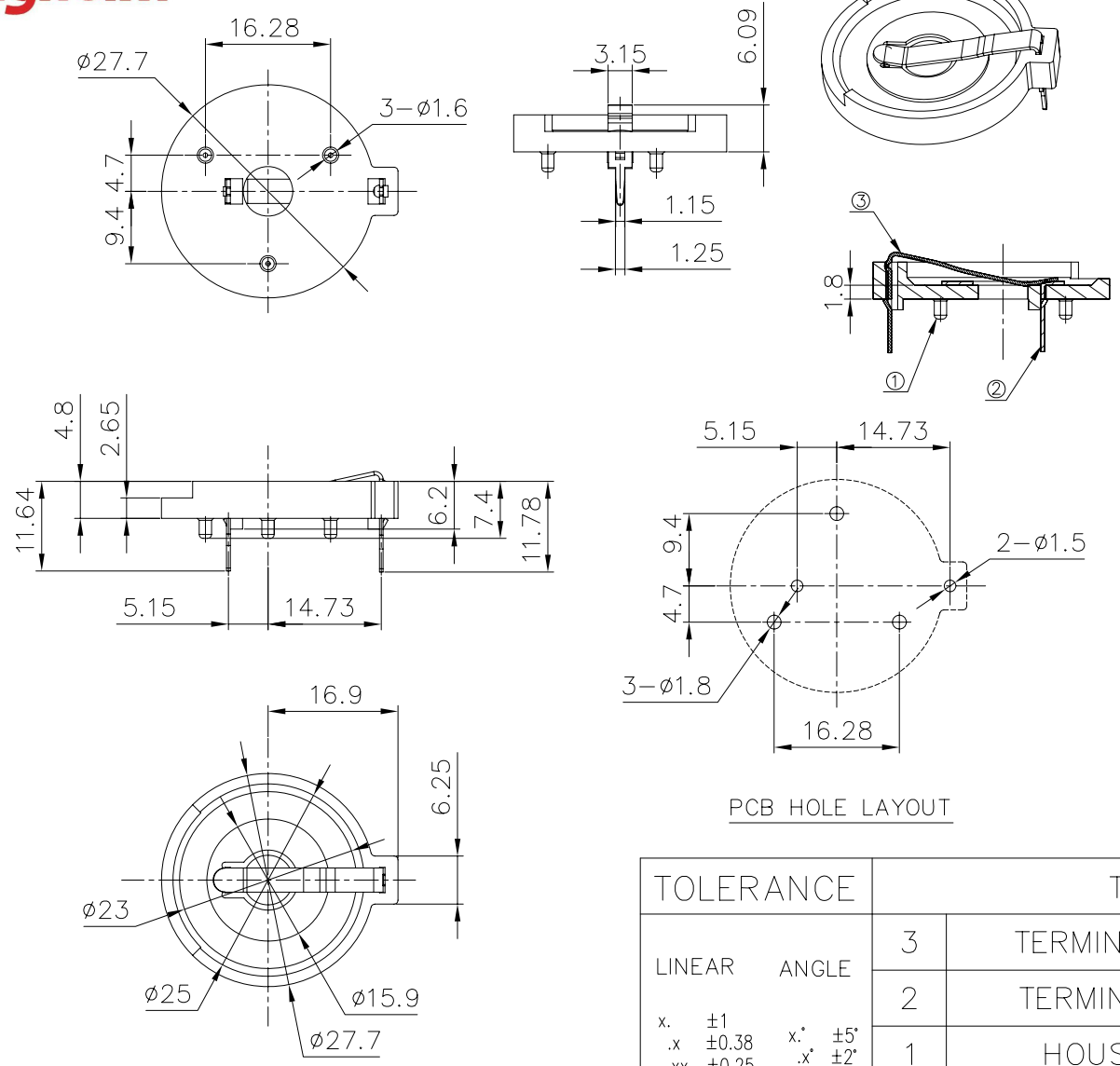
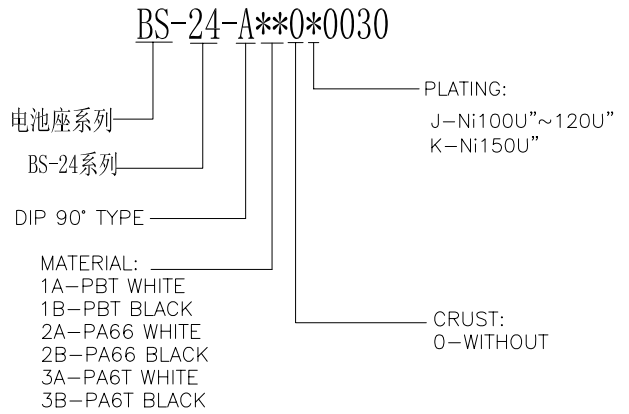


REV.	MATTER	APP.	DATE
A			



NOTE:
 1.MATERIAL:
 a.HOUSING:THERMOPLASTIC GLASS FIBRE UL94V-0
 b.CONTACT:Mn Steel
 (SURFACE PLATING: Ni 100u")
 SEE ORDERING INFORMATION
 2.ELECTRIC:
 a.CONTACT RESISTANCE: 30 MILLIOHMS MAX
 b.INSULATION RESISTANCE: 1000 MEGA OHMS MIN
 c.DIELECTRIC VOLTAGE: 750V AC ONE SEC LEVEL
 d.OPERATING TEMPERATURE: -55°C~ +85°C

ORDERING INFORMATION



TOLERANCE		Tolerance:Unless otherwise specified		
LINEAR ANGLE x. ±1 x.' ±5' .x ±0.38 .x.' ±2' .xx ±0.25 .xx.' ±1' .xxx ±0.10 .xxx.' ±1'	3	TERMINAL-2	Mn Steel	Ni-Plated
	2	TERMINAL-1	Mn Steel	Ni-Plated
	1	HOUSING	PBT	BLACK
	NO.	PART NAME	MATERIAL	COLOR/FINISHED

深圳市金航标电子有限公司	www.kinghelm.com.cn	日期DATE	单位UNITS	审核CHECK	BATTERY HDLDER	PART NO.
			mm			BS-24-A1B0J0030
KH-BS2430-1	0755-28190160	比例SCALE	制图DRAW	设计DESIGN	TITLE: 两PIN电池座卧式 (BS-2430-1)	