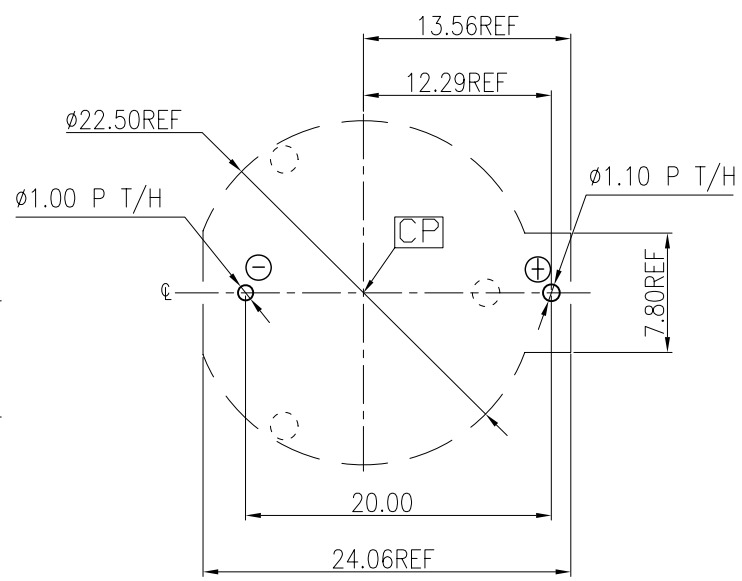
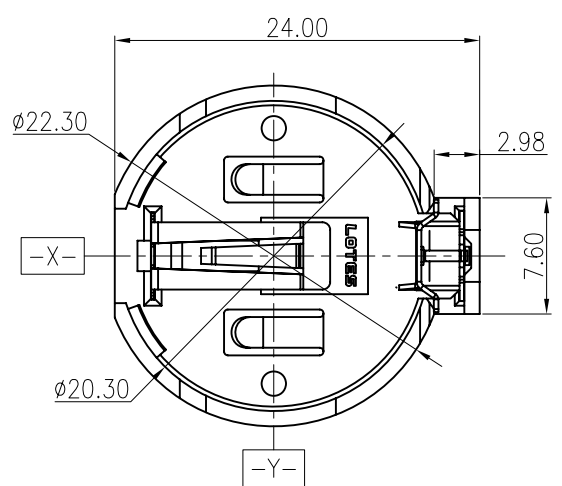


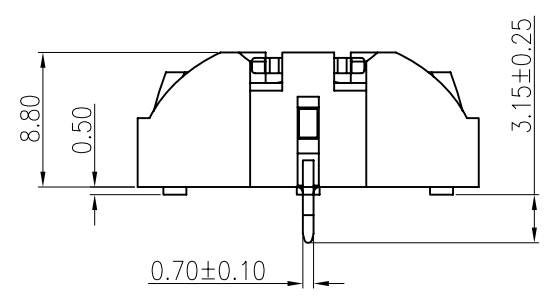
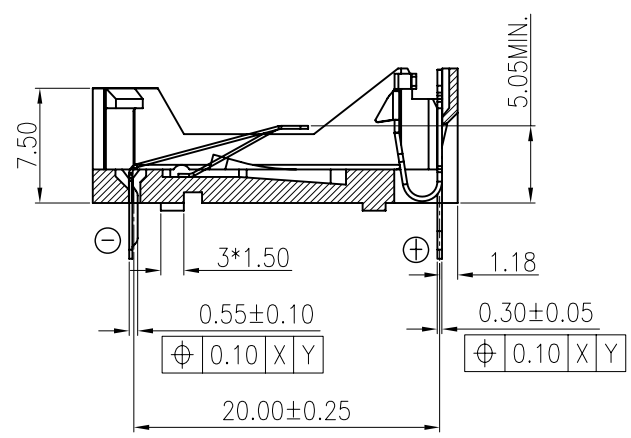
Kinghelm®

REV.	ECN NO./DESCRIPTION	DATE
3	N090508	8/28'09
4	N100254	5/26'10
5	N100509	10/23'10

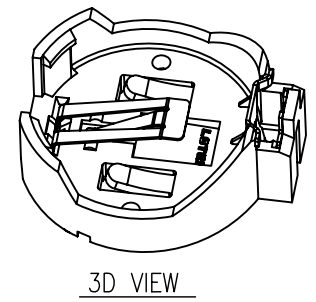


RECOMMENDED PCB LAYOUT(TOP VIEW)
 (PCB THICKNESS:T=1.60mm)(TOLERANCE:±0.05)

NOTES:
 1.MATERIAL SPECIFICATION,
 1-1.HOUSING:PBT_BLACK;UL94V-0.
 1-2.CONTACTS:BRASS.
 2.PLATING SPECIFICATION:
 Ni50u" UNDERPLATING,MATTE TIN100u" ON THE SOLDER TAIL.
 3.ELECTRICAL PERFORMANCE:
 LLCR:30mΩ MAX.
 INSULATION RESISTANCE:1000MΩ MIN.
 DIELECTRIC WITHSTANDING:1000V AC
 4.THE REFER SOLDERING CONDITIONS:
 WAVE SOLDER:CONNECTOR MOUNTED ON THE PCB,THE
 TEMPERATURE OF THE SOLDER SHALL BE 260±5°C
 FOR 10±1SECONDS.
 5.RoHS COMPLIANT.
 6.PRODUCT NUMBER NOTE:
 AAA-BAT-029-K01



BOARD TO CONNECTOR
 CONNERTOR



GENERAL TOLERANCES UNLESS SPECIFIED		深圳市金航标电子有限公司		www.kinghelm.com.cn	
.X± 0.35	X°± 3°	KH-BS-9		0755-28190160	
.XX± 0.25	X°± 2°	APPROVED BY	TITLE		
.XXX± 0.15	.XX°± 1°	JACK_FAN 10/23'10	BATTERY HOLDER FOR CR2032		
CUSTOMER DRAWING		CHECKED BY	DWG NO.		A
		ZHANGYUSHENG 10/23'10	GAP-AAA-BAT-029		
SIZE	UNITS	DRAWN BY		SHEET	SCALE
A4	MM[INCH]	TANGHUI 10/23'10		1 / 1	1:1
				REV	5