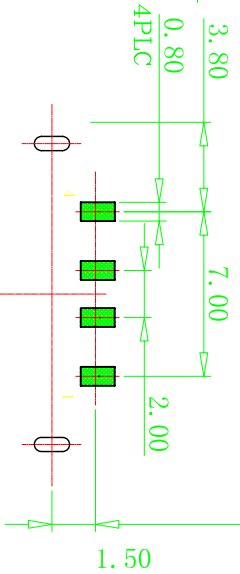
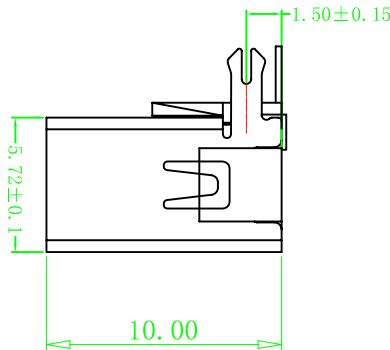
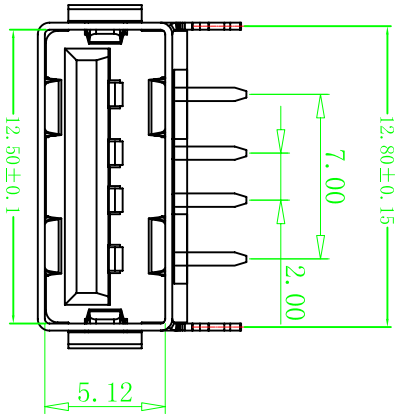
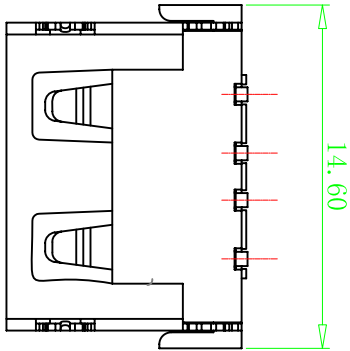
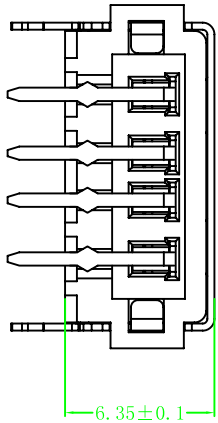


# Kinghelm®



### RECOMMENDED PCB LAYOUT

- 规格说明 (Specifications):
- 0 电气特性 (Electrical):
    - 1.1 额定电流 (Current Rating): 1.5A/Contact Terminal
    - 1.2 额定电压 (Voltage Rating): 30V DC
    - 1.3 接触阻抗 (Contact Resistance): 30 Milliohms Max
    - 1.4 耐电压 (Dielectric Withstanding Voltage): 500 V AC AT Sea Level
    - 1.5 绝缘阻抗 (Insulation Resistance): 1000MEGA Ohms Min
  - 0 物理性能 (Mechanical):
    - 2.1 插拔力 (Connector Mate And Unmate Force): Mating Force: 3.57kgf (Max) Unmating Force: 1.02kgf (Min)
    - 2.2 端子保持力 (Terminal Retention): 1.2kgf (Min)
    - 3.0 原材料 (Material):
      - 3.1 塑胶 (Housing): Hing Temperature Thermoplastics UL 94V-0 PBT/LCP White/Black
      - 3.2 端子 (Contact): Copper Alloy C2680 T=0.25MM
      - 3.3 外壳 (Shell): Copper/Ferro Alloy C2680/SPCC T=0.30MM
    - 4.0 电镀 (Finish):
      - 4.1 端子 (Contact): Plated Gold in Mating Area Sn ≥ 100U" Ni ≥ 40U" Au=1U" / 30U" / 50U" / ...
      - 4.2 外壳 (Shell): Nickel Plating 12H (Cu ≥ 80U" Ni ≥ 60U") 24H (Cu ≥ 100U" Ni ≥ 80U") 48H (Cu ≥ 120U" Ni ≥ 100U") ...
  - 5.0 Dimension marked 居 must be controlled in QIP.

## 产品图

深圳市金航标电子有限公司

WWW.BDS666.COM

公差一览表  
TOLERANCE UNLESS OTHERWISE

KH-AF90HC-10-H6.3

0755-83044319

单位	UNIT	MM	制图	DRAWING	制图料号	PRODUCT PART NO.
X.	±0.25	X.	±5.°			
X.	±0.20	X.	±2.°			
.XX	±0.15	.XX	±1.°			
.XXX	+0.10	.XXX	+ ) f°			
比例	SCALE	1:1	日期	DATE	2015.11.1	核准
核	CHKD		日期	DATE	2015.11.1	APPD

角法	角法	版本	版本
1:1	1:1	A0	A0